



ТК Сервис Плюс

г.Набережные Челны ул.
Промышленная, д.50, офис 107
Тел.: +7-917-269-35-51 (8552) 37 22
02
E-mail: info@tcsp-shop.ru
Http//: www.tcsp-shop.ru

Реечный привод T50 Тандем 230В или (24В) 750мм





TK Сервис Плюс

г.Набережные Челны ул.
Промышленная, д.50, офис 107
Тел.:+7-917-269-35-51 (8552) 37 22
02
E-mail: info@tcsp-shop.ru
Http//: www.tcsp-shop.ru



Реечный привод T50 Тандем 230В или (24В) 750мм
Цена в руб. без рейтинга

[Задать вопрос по товару](#)

Описание

- [ИНФОРМАЦИЯ](#)
- [ХАРАКТЕРИСТИКИ](#)
- [БРОШЮРА](#)
- [СЕРТИФИКАТ](#)

???????? ? 2 ?????? ?????????????? ?50, ????????????? ? ?????, ?? ????? ? ????? ? ????????? ??????.
?? ???? ? 180 ?? 750 ?? ?????????????? ?????????????? ?? ????????? ??????????. ?????? IP 55.

????????????? ? 2 ??????????????:



2 ?????? ?????? ?50 ????????????? ? ?????? ? ?????? ?????????????? ??????. ?????????? ?????? 700?, ?????????? ??????
???????? ?????????? ??? - 1500 ??.



?? ????? ?????????????? ?????? ? 2 ????????? T50S, ?????? ?????????????????? ?? ??????. ?????????? ?????? 900?,
???????????? ?????? ????????? ?????????? ??? - 500 ??.

????????????? ????????????????

T50



TK Сервис Плюс

г.Набережные Челны ул.
Промышленная, д.50, офис 107
Тел.: +7-917-269-35-51 (8552) 37 22
02
E-mail: info@tcsp-shop.ru
Http://: www.tcsp-shop.ru

?????? ??????????	230 V AC ??? 24 V DC
?????????????? ??????? ???????	500 ?
?????????? ??????? (?????????? ???????)	500 ?
?????????? ??????? ? ???? ??????? (?????????? + ?????????)	500 ?
?????????? ??????? ? ???? ??????? (?????????? + ?????????)	750 ?
?????????? ??????? ? ???? ??????? (1 ????????? + 2 ?????????)	450 ?
?????????????? ??????? 2 ????????	??? 2,4 ? - 1? ??? (1,5 ? ?????? 2 ??????????)
??? ????? (+/- 20 ??)	150 - 200 - 250 - 320 - 400 - 450 - 500 ??
?????????????????? ???	0,3 A 1,4 A
?????????? ??????????? ?????	18 ??/? - 10 ??/?
?????????????????? ?????? ??????????	?????????? ??????????? / ??????????
?????????? ??????????????????? ??????????	????? ???
??? ??????????	S2 ?? 4 ???.
?????????????? ??????????????? ??????????????? ???????	- 5 +50 °C
?????????? ????????	IP 55
?????????????????? ??????????????? 2 ? ?????? ???????????	?????
?????????????? ??????	??????????????
??????????	?????????????????? ?? 578 ?? 1030 ?62?94 ??



TK Сервис Плюс

г.Набережные Челны ул.
Промышленная, д.50, офис 107
Тел.:+7-917-269-35-51 (8552) 37 22
02
E-mail: info@tcsp-shop.ru
Http//: www.tcsp-shop.ru



T50

Attuatore a cremagliera – forza di spinta 500N – corsa max 500mm



ТК Сервис Плюс

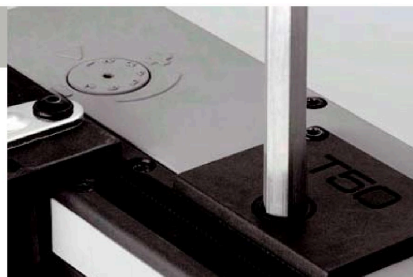
г.Набережные Челны ул.
Промышленная, д.50, офис 107
Тел.: +7-917-269-35-51 (8552) 37 22
02
E-mail: info@tcsp-shop.ru
Http//: www.tcsp-shop.ru



TK Сервис Плюс

г.Набережные Челны ул.
Промышленная, д.50, офис 107
Тел.: +7-917-269-35-51 (8552) 37 22
02
E-mail: info@tcsp-shop.ru
Http://: www.tcsp-shop.ru

Possibilità di collegamento di più punti di spinta sullo stesso serramento tramite barra di trasmissione ad innesto rapido.



Rapido montaggio in assenza di alimentazione grazie alla facile regolazione della staffa scorrevole autoallineante, che consente di regolare il fine corsa a passi di 2 mm lungo le corsie del corpo macchina.



Possibilità di regolazione della corsa in 7 posizioni da 150 a 500 mm.



Grado di protezione IP55.



T50 TOPP 33
tecnologie del movimento

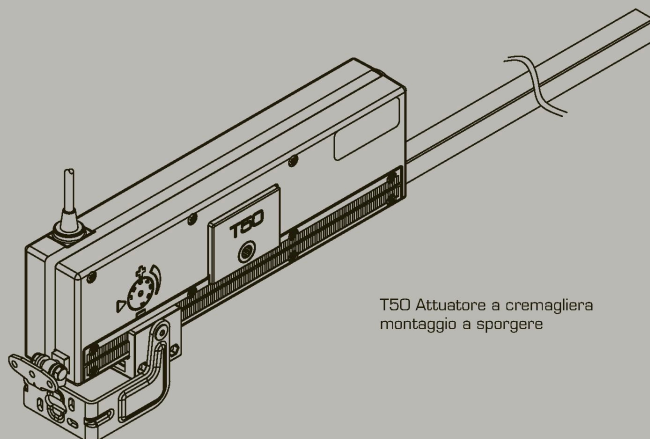
Design industriale, geometrico e rigoroso.



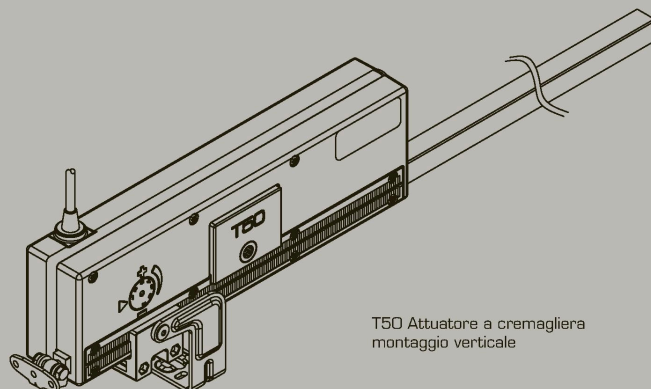


TK Сервис Плюс

г.Набережные Челны ул.
Промышленная, д.50, офис 107
Тел.:+7-917-269-35-51 (8552) 37 22
02
E-mail: info@tcsp-shop.ru
Http//: www.tcsp-shop.ru



T50 Attuatore a cremagliera
montaggio a sporgere



T50 Attuatore a cremagliera
montaggio verticale

Caratteristiche tecniche

	T50/230	T50/24
Tensione di alimentazione	230 V~50 Hz	24 V c.c.
Carico massimo applicabile in spinta		500 N
Carico massimo applicabile in spinta 2 punti di spinta (1 master + 1 slave)		500 N
Carico massimo applicabile in spinta 2 punti di spinta (1 master + 1 master)		700 N
Carico massimo applicabile in spinta 3 punti di spinta (1 master + 2 slave)*		450 N
Distanza fra 2 punti di spinta	max 2,4 m - min 1 m (1,5 m fra 2 master)	
Corse	150 - 200 - 250 - 320 - 400 - 450 - 500 mm	
Assorbimento	0,3 A	1,4 A
Durata della corsa a vuoto	(corsa/velocità di traslazione a vuoto)	
Velocità di traslazione a vuoto	18 mm/s	10 mm/s
Doppio isolamento elettrico	si	-
Tipo servizio		S2 di 4 min.
Temperatura di funzionamento	-5 +55 °C	
Grado di protezione dispositivi elettrici	IP 55	
Collegamento in parallelo di due o più motori	si	
Fine corsa	encoder	
Dimensioni	variabile da 578 a 748x62x94 mm	
* E' possibile installare fino a 6 punti di spinta sullo stesso serramento. Consultare l'ufficio tecnico commerciale per disposizione punti di spinta e calcolo forza di spinta.		



ТК Сервис Плюс

г.Набережные Челны ул.
Промышленная, д.50, офис 107
Тел.:+7-917-269-35-51 (8552) 37 22
02
E-mail: info@tcsp-shop.ru
Http//: www.tcsp-shop.ru



TK Сервис Плюс

г.Набережные Челны ул.
Промышленная, д.50, офис 107
Тел.: +7-917-269-35-51 (8552) 37 22
02
E-mail: info@tcsp-shop.ru
Http//: www.tcsp-shop.ru

EC DECLARATION OF INCORPORATION OF PARTLY COMPLETED MACHINERY

ORIGINAL

TOPP
tecnologie del movimento

The undersigned, in the name of and behalf of the following company

Topp S.r.l.
Via Galvani, 59
36066 Sandrigo (VI)
Italia

herewith declares

that the person authorised to compile the technical file is

Name: Bettiani Roberto - Topp S.r.l.
Address: via Galvani, 59 36066 Sandrigo (VI)
and
that to the partly completed machinery

RACK ACTUATOR FOR WINDOW AUTOMATION

Type: T50
Model(s): T50/230V - T50/24V
Serial number and year of construction: from no. 1603TB01112 to no. 16120PF1999

the following essential requirements of the following EC directive (including all applicable amendments)

2006/42/EC Machinery Directive (Italian adoption DLgs 27 jan. 2010, n. 17)

have been applied and fulfilled:

Enclosure I: 1.5.1; 1.5.2; 1.5.10; 1.5.11

and that the relevant technical documentation is compiled in accordance with part B of Annex VII of the above mentioned Machinery Directive.

The above identified partly completed machinery is also in conformity with the all the relevant provisions of the following EC directives (including all applicable amendments)
2014/30/EU EMC Directive
2011/65/EU ROHS II Directive

The following harmonised standards have been applied:

EN 55014-1	EN 55014-2	EN 61000-3-2
EN 61000-3-3	EN 61000-6-2	EN 61000-6-3
EN 62233	EN 50581	
EN 60335-1	Applicable parts of EN 60335-2-103	

The undersigned also undertakes the obligation, in response to a duly reasoned request by the national market surveillance authorities, to transmit to the a.m. authorities, in electronic or paper format, the relevant technical documentation on the partly completed machinery.

The above identified partly completed machinery must not be put into service until the final machinery into which it is to be incorporated has been declared in conformity with the provisions of the above mentioned Machinery Directive.

This declaration of conformity is issued under the sole responsibility of the manufacturer.

Date: Sandrigo, 01/03/2016

Signature: Matteo Cavalcarite
Administrator



ТК Сервис Плюс

г.Набережные Челны ул.
Промышленная, д.50, офис 107
Тел.: +7-917-269-35-51 (8552) 37 22
02
E-mail: info@tcsp-shop.ru
Http//: www.tcsp-shop.ru
